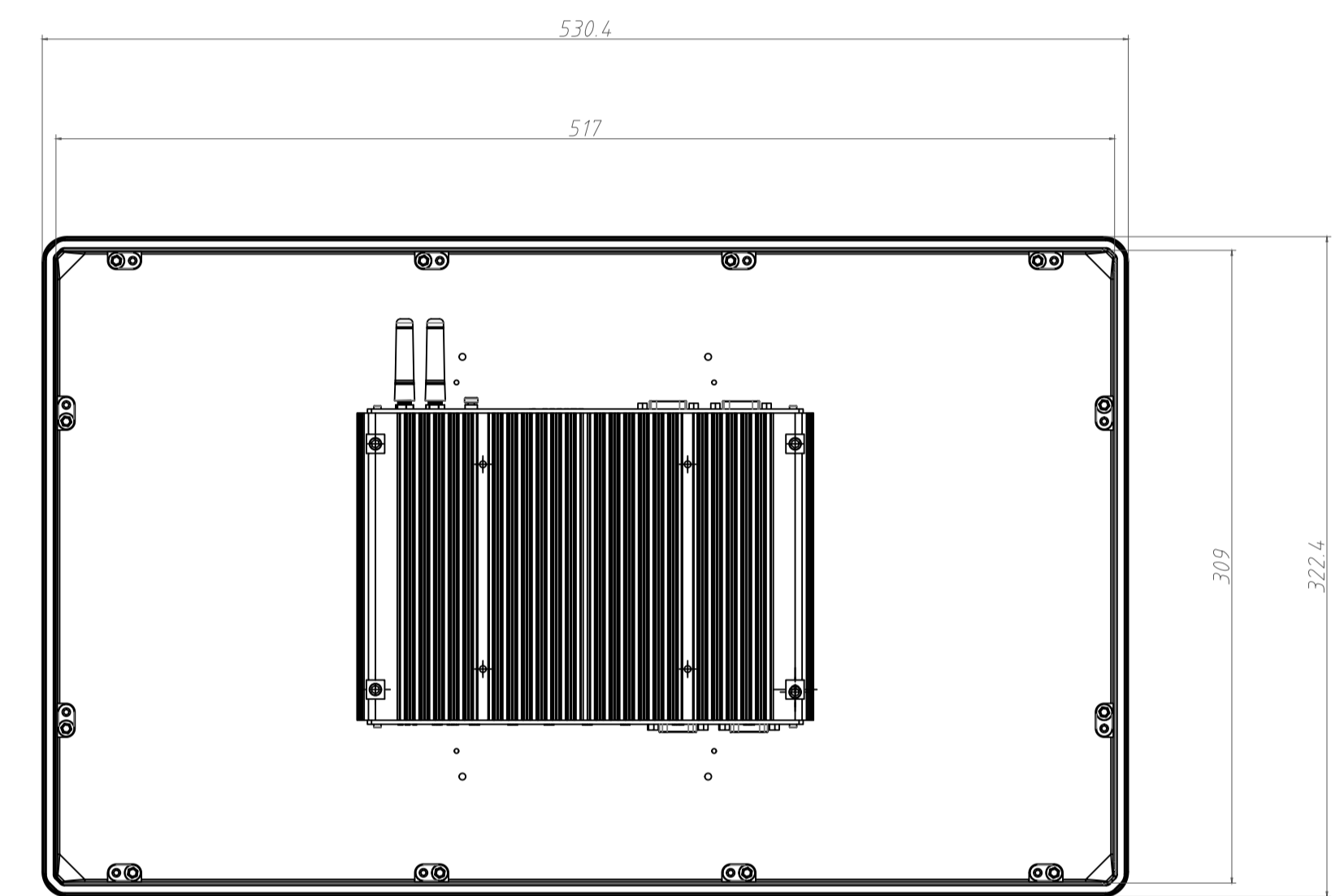
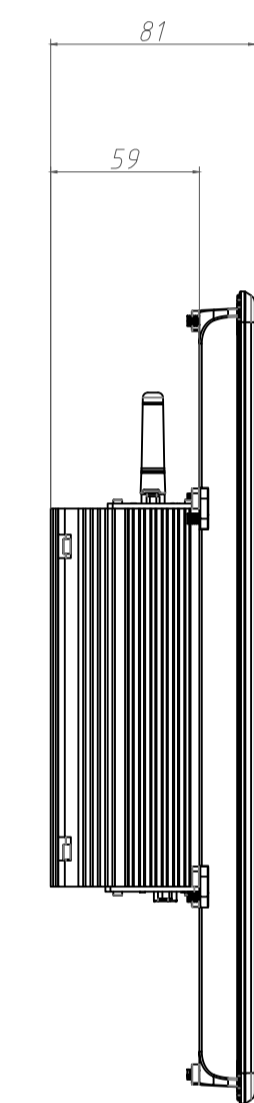
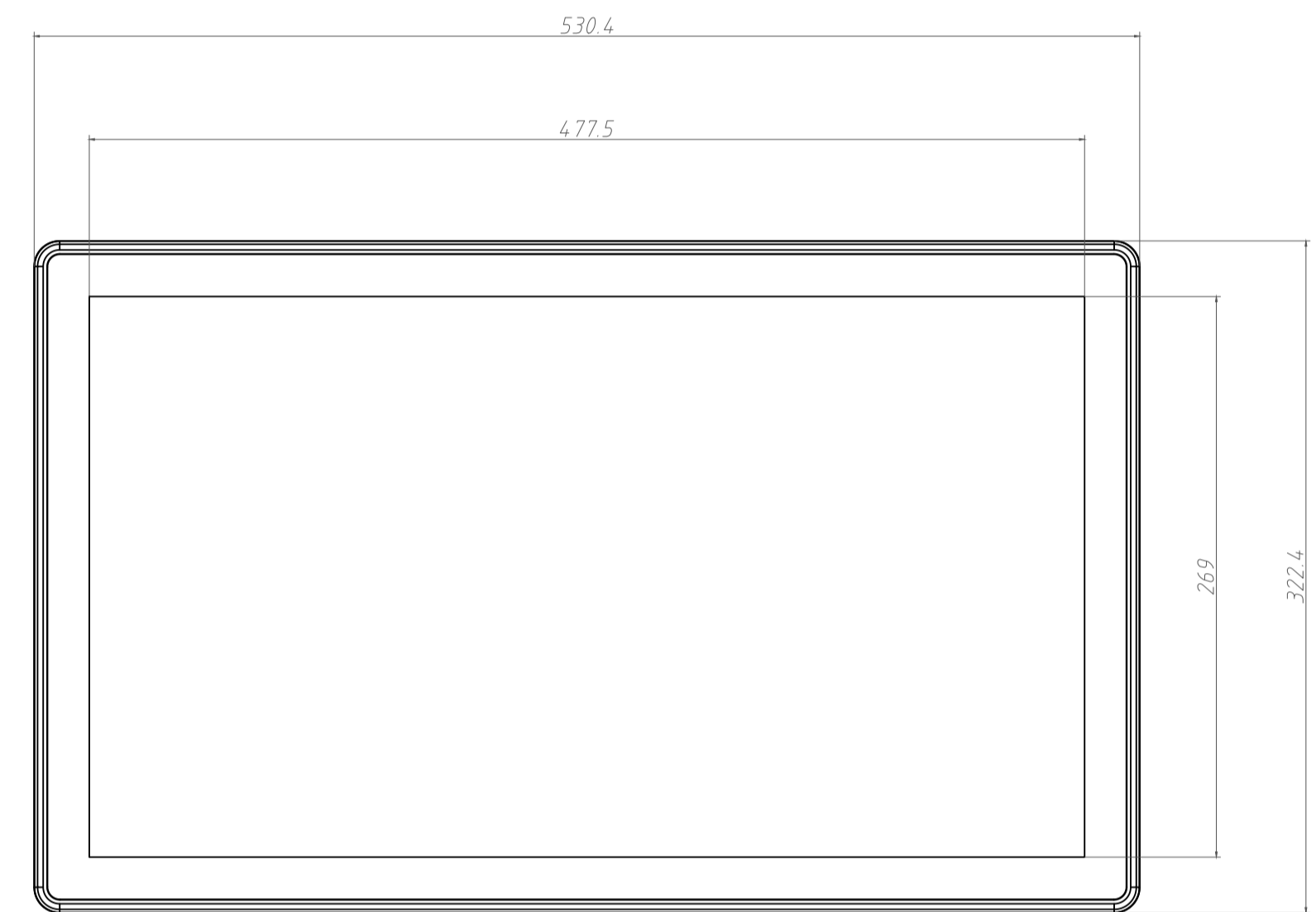
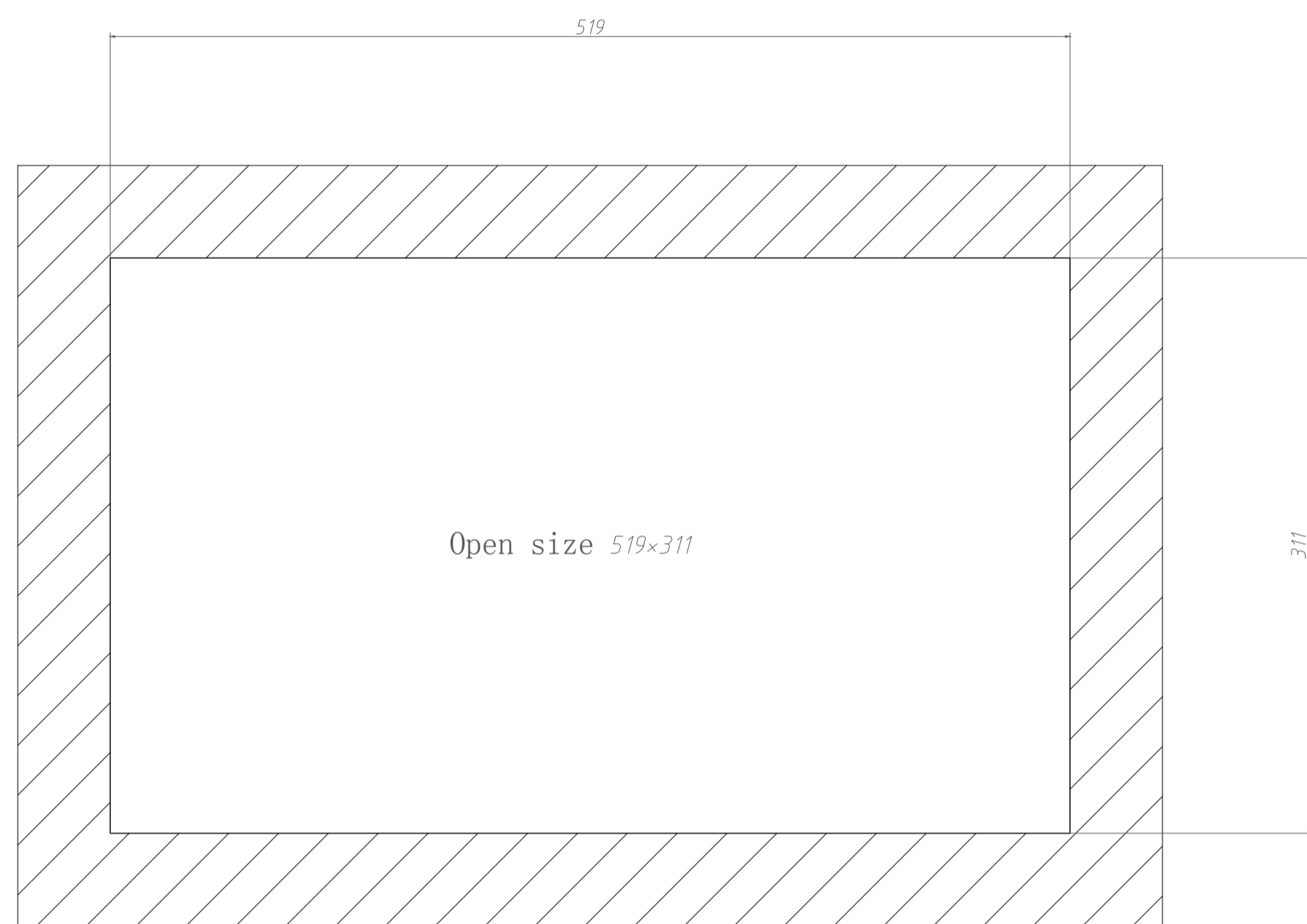


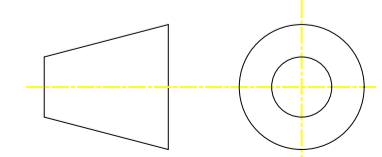
Rev.	Sym.	Q'TY	ICN/ECN NO	Changed by	Date
V1.0			the first release		

COMPANY CONFIDENTIAL

A
B
C
D
E
F

A
B
C
D
E
F



 First angle system	Design		Project Name :	Part Name	
	Check			Part No	
	Approve			Material	See Notes
				Process	See Notes
				Size:	Scale: 1:1
				Unit: mm	Sheet: 1 of 1

1 2 3 4 5 6 7 8